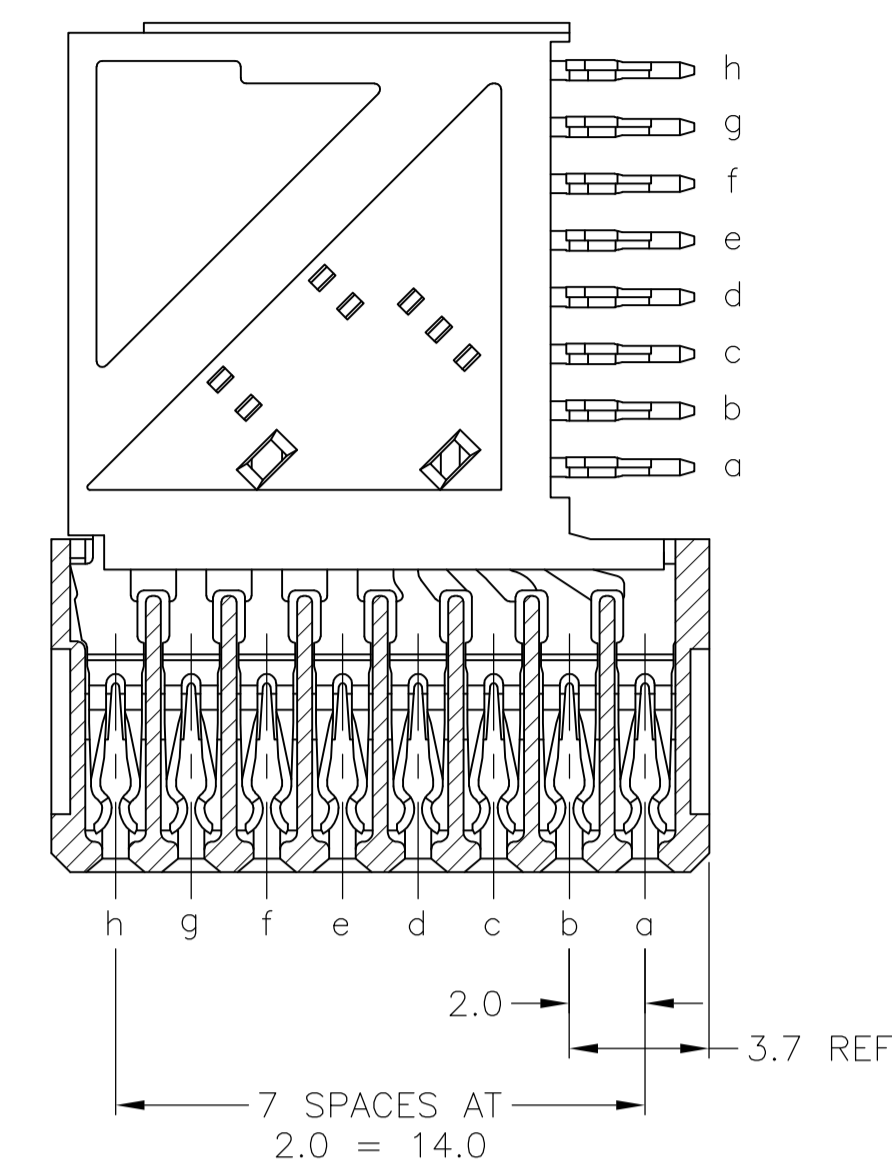
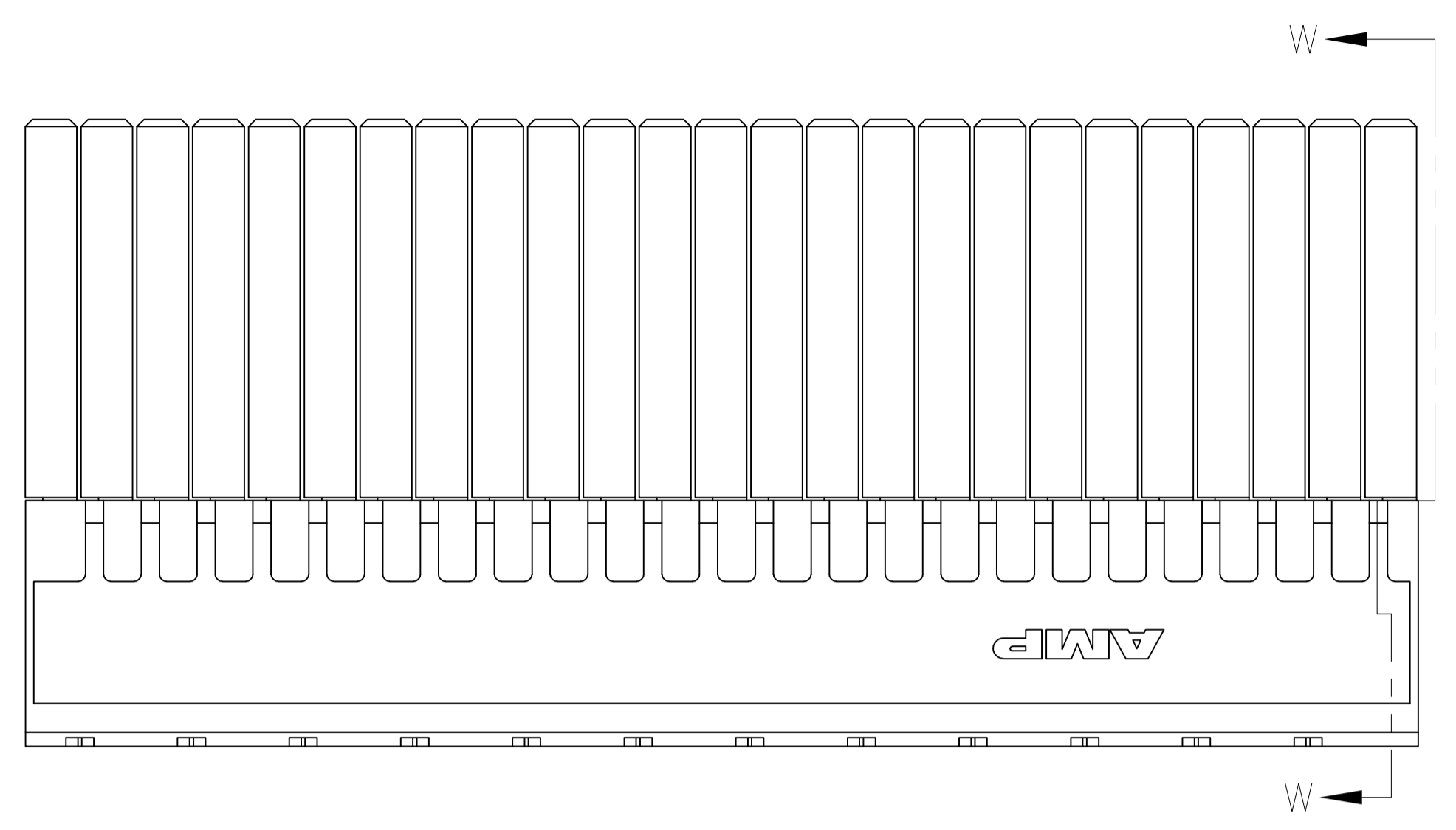
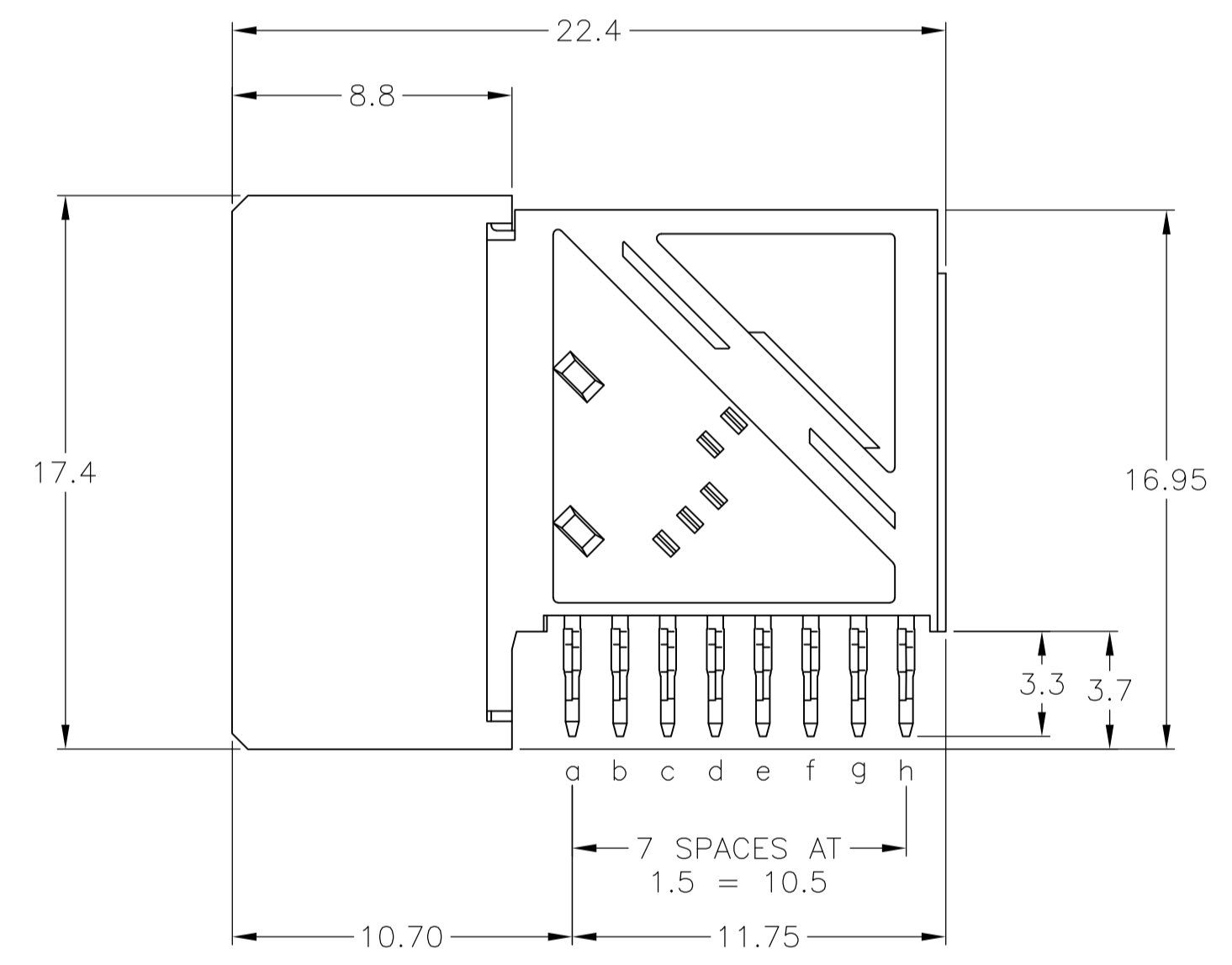
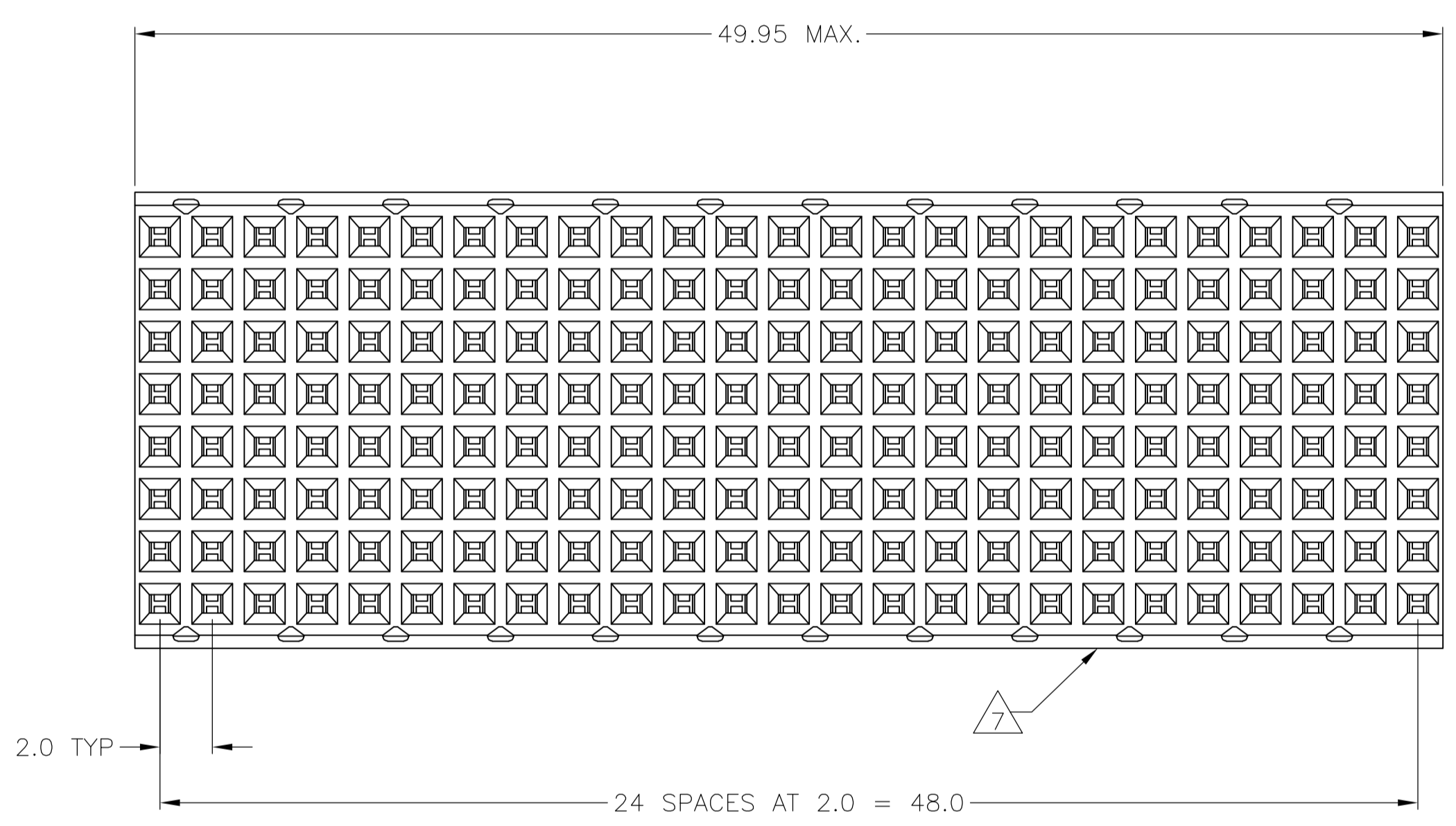


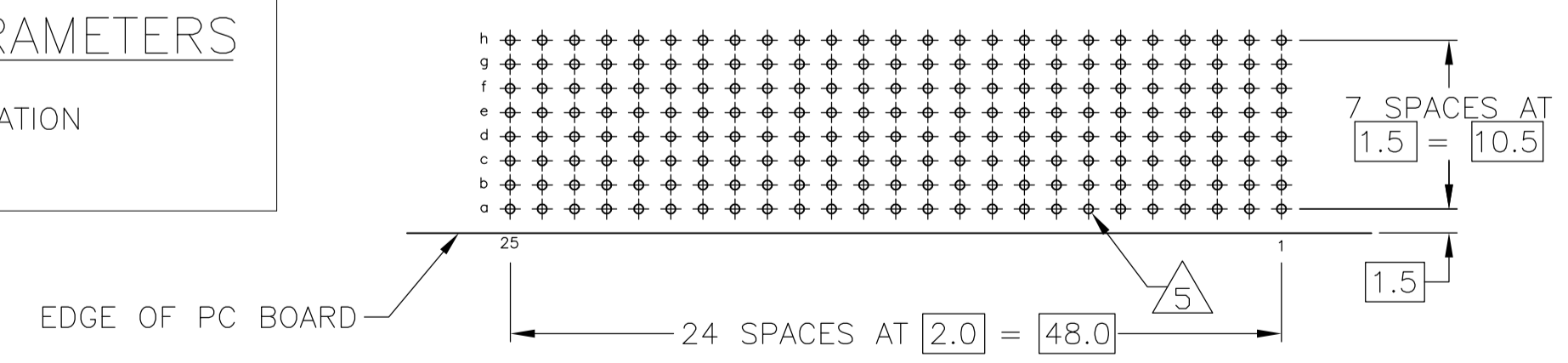
LOC		DIST		REVISIONS			
P	LTR	DESCRIPTION	DATE	DMN	APVD		
E		REVISED PER ECO-12-012363	05JUL2012	SY	AC		



SECTION W-W



PLATED THRU HOLES PARAMETERS
REFERENCE APPLICATION SPECIFICATION



RECOMMENDED PCB-HOLE LAYOUT
COMPONENT SIDE SHOWN
SCALE 2.5:1

- 1 MATERIAL:
CONTACT: PHOSPHOR BRONZE.
HOUSING: GLASS-FILLED POLYESTER.
- 2 GENERAL PLATING SPECIFICATION: UNDERPLATING
(ENTIRE CONTACT): 1.27μm MIN NICKEL AND ACTION
PIN: 0.5μm MIN TIN.
FOR PLATING OF MATING SURFACES SEE APPLICABLE
SPECIFICATION REFERENCE FOR EACH DASH NUMBER.
- 3 CONFORMS TO ALL TESTING ACCORDING TO IEC 61076-4-101
PERFORMANCE LEVEL 2.
- 4 CONNECTOR TESTED AND QUALIFIED AGAINST TELCORDIA GR-1217-CORE QUALITY LEVEL 3,
CENTRAL OFFICE APPLICATIONS.
- 5 PLATED THRU HOLES AT 2x1.5mm GRID. 200 TOTAL HOLES.
- 6 CONTACT AREA LUBRICATED WITH BELLCORE APPROVED LUBRICANT.
TECHNICAL REFERENCE: GR-1217-CORE, ISSUE 1, NOVEMBER 1995.
- 7 CONNECTOR PRINTED WITH PART NUMBER AND DATE CODE THIS SIDE.
ADDITIONAL CHARACTERS OR MARKINGS, AS WELL AS THE
LOCATION OF THE MARKINGS, MAY BE ADDED FOR TRACEABILITY BASED
UPON MANUFACTURERS DISCRETION.
- 8 0.76μm MIN GOLD PLATING AT MATING SURFACE.

1	2	3	4	5	6	7	8	3-5646445-0
1	2	3	4	5	6	7	8	5646445-9
1	2	3	4	5	6	7	8	5646445-1
FINISH								PART NUMBER

THIS DRAWING IS A CONTROLLED DOCUMENT.		DIN B CARBO 08DEC04	TE Connectivity	
DIMENSIONS: mm		CHK G SKIPPER 08DEC04	NAME	
TOLERANCES UNLESS OTHERWISE SPECIFIED:		APVD G SKIPPER 08DEC04	RECEPTACLE ASSEMBLY, 200 POSITION, TYPE E, 8 ROW, W/TWISTED TULIP CONTACTS, Z-PACK 2mm HM	
0-PLC ±		PRODUCT SPEC	SIZE	CAGE CODE
1-PLC ±0.1		APPLICATION SPEC	A1	00779
2-PLC ±0.05 ±0.2		WEIGHT	SCALE	5:1
3-PLC ±		CUSTOMER DRAWING	SHEET	1 OF 1
4-PLC ±		RESTRICTED TO	REV	E
ANGLES				
MATERIAL 1				
FINISH SEE TABLE				